

Low cost, high performance scanner for large barcode applications

TS-4600 Series



TYSSO[®]
Insist on the Best



HOL-098 Auto-stand

Laser-Like Super Range CCD

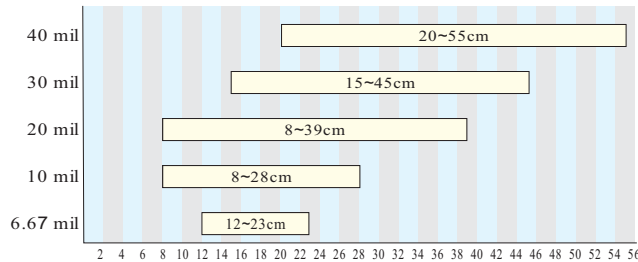
FEATURES

- High quality and high performance
- Full featured and full function
- Wave length: 660nm
- Scan speed: 100 scans per second
- Reading depth: 8cm up to 55cm, depend on different resolutions
- Reading width: Up to 39cm
- Reading PCS: 0.45 or larger reflection factor of space and margin
- Interfaces support: Keyboard wedge, RS-232, Wand emulation, TTL, OCIA, USB, etc.
- Auto-discriminates among all common barcode symbologies.

SPECIFICATIONS

Optical

Scan Zone (Based on 90% code 39 barcode)



Nominal scan rate	100 Scans/sec.
Wavelength	660nm±10nm for CCD
Maximum pitch	±65 degrees
Maximum skew	±50 degrees
Photo sensor	3,648 pixels CCD

Engineering Design

Power source	+5VDC, ±5%
Processor	80C32
Decoder	Proprietary
Body material	ABS
Current consumption	220mA
Weight	160g (except cable)
Shock resistance	1 meter drop onto concrete

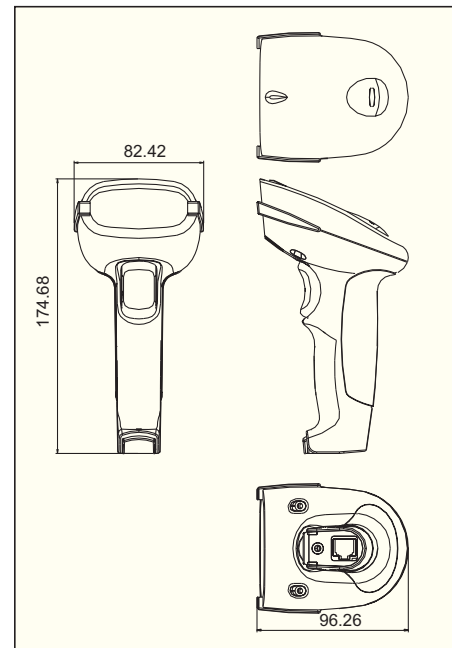
Operating Environment

Operating temperature	0°C to 40°C (32°F~104°F)
Storage temperature	-20°C to 65°C (-8°F~149°F)
Relative humidity	5% to 95% noncondensing
EMI emission	FCC class A
Ambient light	3,000 to 8,000 lux
Connectivity	DB9, DB25, AMP, DIN5, Mini-Din 6 pin, and etc.

Readable Barcodes

Code 39, Full ASCII Code 39, UPC/EAN/JAN, CODABAR, Interleaved 2/5, Code 128, Code 11, Code 93, MSI/PLESSEY, Code 4, and etc. Special code can be requested.

DIMENSIONS (mm)



Interfaces

TS-4600K	Keyboard Wedge
TS-4600R	RS-232
TS-4600U	USB
TS-4600W	Wand Emulation
TS-4600T	TTL (undecoded)



TYSSO®

Insist on the Best

Manufacturer

FAMETECH INC.

2F, No. 165, Sec. 2, Ta-Tung Rd.,
Hsi-Chih 221, Taipei Hsien, Taiwan

Tel : 886-2-8692-6300

Fax: 886-2-8692-6301

E-mail: tyssso@ms6.hinet.net

URL: <http://www.famotech.com.tw>