

Easily Bridges the RS-232 Devices on Ethernet/Internet at affordable price

TCP/IP **eCOV-100** *One RS-232 port*



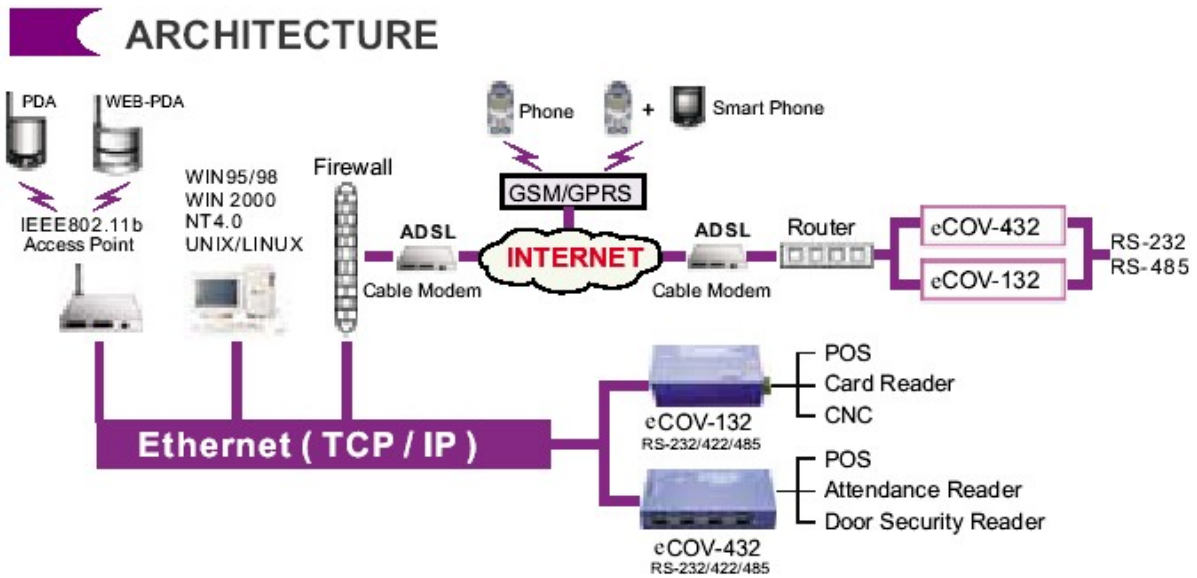
FEATURES

- Wherever the network existed, your control will be there.
- The lowest cost and the best solution of IP Solution.
- Offering the best network solution for your Product/Equipment/System.
- Making the Automation-Control and the Data-Collection no boundary at all.
- Support the TCP/IP/UDP/HTTP/DHCP/TELNET/ICMP/ARP.
- Can integrate the PDA/WEB-PDA and IEEE 802.11b for wireless remote control.
- Mini size, easy to hide.

APPLICATIONS

- Access Control
- Security System
- Telecommunication
- Network Power Control
- POS & Auto ID Equipment
- Factory/Laboratory Automation
- Home/Building Automation

TCP/IP eCOV-100 One RS-232 port



◆ APPLICATIONS

- Access Control
- Security System
- Telecommunication
- Network Power Control
- POS & Auto ID Equipment
- Factory/Laboratory Automation
- Home/Building Automation

◆ SPECIFICATIONS

Model		eCOV-100	
Hardware	CPU	8	BITS
	SRAM	32K	BYTES
	ROM	32K	BYTES
	LAN	10M	BPS(RJ45)
Interface		RS232	1
Power		9~12V DC(120mA)	
Operate Temp.		0~55°C	
Dimensions (mm x mm x mm)		110X70X28 (WXDXH)	
RS-232		SPEED	300~115.2K bps
		PARITY	None/Odd/Even
		DATA BITS	7,8
		STOP BITS	1,2
		SIGNAL	RX,TX,RTS,CTS,DTR,DSR, DCD,GND
LED		SYSTEM RUN, LAN TX, LAN RX, LAN LINK	
Protocol		TCP/IP/UDP/HTTP/DHCP/TELNET/ICMP/ARP	
Supported OS		Win 95/98/2000/NT4.0, UNIX, LINUX	
Certification		FCC, CE	
Software Development		Windows's WINSOCK SDK Development Utility	